



# CS E Series

Compact Scales



*The perfect portable balance when cost matters and dependable results are a must!*

The OHAUS CS E Compact Scale is a lightweight, portable scale perfectly suited for use in education applications. It's unique styling and small size make the CS E ideal for field activities as well as in the classroom. With easy operation, long battery life, and great performance Ohaus Compact Scales offer consistent, reliable performance in any environment.

**Standard Features Include:**

- **Large Weighing Platform** – The CS E is designed with a large weighing platform and can easily handle large samples.
- **Compact Design** – The CS E has a low profile design and is truly portable when powered by three "AA" batteries (included). An optional AC adapter can also be used to power the CS E, when used in a more permanent location.
- **Superior RF Protection** – The CS E is designed with superior RF protection to deliver accurate and stable results when used near electrical apparatus and cell phones. Approvals for electrical and emissions include CE E listed and FCC Class B Part 15 operation.

# CS E Series Compact Scales

## Specifications

Model	CS200E	CS2000E	CS5000E
Capacity x Readability (g)	200 g x 0.1 g	2000 g x 1 g	5000 g x 1 g
Repeatability (Std. dev.) (g)	0.1	1	1
Linearity (g)	±0.1	±1	±1
Weighing units	g, oz, lb:oz, Newton		
Zero range	To capacity by subtraction		
Stabilization time	3 seconds		
Optimum operating temp.	18° - 25°C 18°C at 10% to 80% relative humidity, non-condensing		
Power requirements	3-AA alkaline batteries (included) or AC adapter (optional)		
Calibration	User calibration from keypad		
Auto shut-off	5 minutes no activity (battery operation only)		
Display (mm)	LCD (11)		
Pan size L x W (cm)	14.5 x 13.3		
Dimensions L x W x H (cm)	20.3 x 14.0 x 3.8		
Net Weight (g)	470		

## Standard Features

Easy operation with two clearly marked buttons, low battery indicator and auto shut-off feature to conserve battery life, mechanical and software overload protection to protect weighing cell from damage, external push button calibration (calibration masses not included).

## Options and Accessories

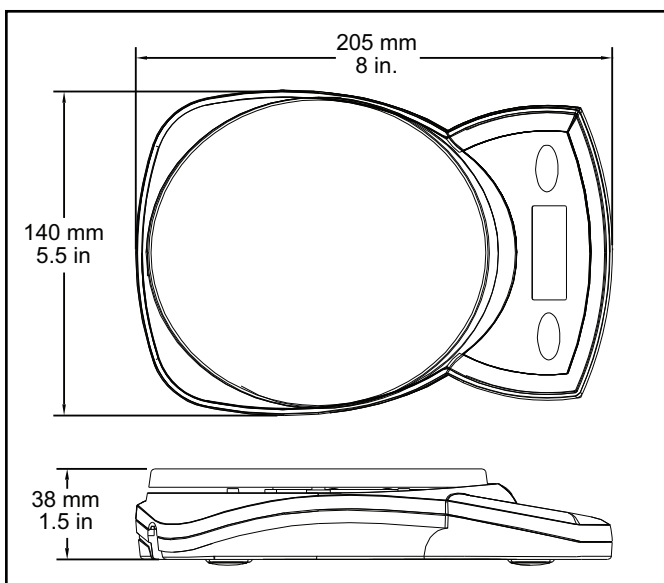
### Ohaus Number

1050 ml capacity plastic bowl.....	80850075
AC adapter.....	80500223
Stainless steel pan .....	80850076
Hard shell carrying case .....	80010624
Calibration masses .....	Call Ohaus for details

## Industry Leading Quality and Support

All Ohaus CS E Series scales are manufactured under an ISO 9001:2000 Registered Quality Management System. Our rugged construction and stringent quality control have been hallmarks of all Ohaus products for over a century.

## Outline Dimensions



[www.ohaus.com](http://www.ohaus.com)

\* ISO 9001:2000  
Registered Quality Management System

80774401 © Copyright Ohaus Corporation

